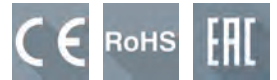
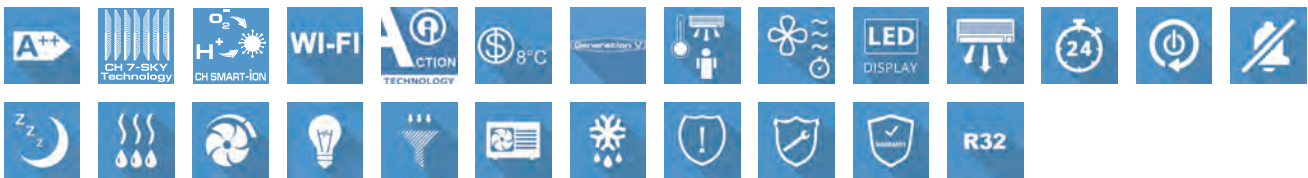


# ALPHA NG

СЕРИЯ



INVERTER

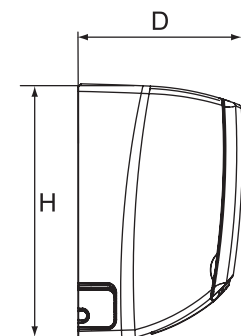
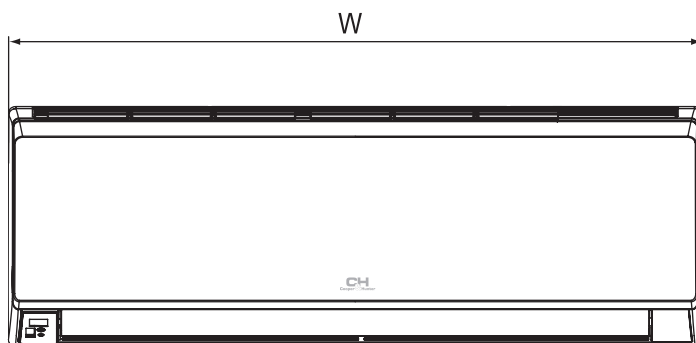


- ▶ "CH 7-SKY Technology" complex filtration system based on seven filters purification;
- ▶ "CH SMART-ION Filter" – the new generation technology of cleaning the air;
- ▶ The technology "I-Action": smooth and stable compressor operation at extra low frequencies (1 Hz);
- ▶ Built-in Wi-Fi module for long-distance Wi-Fi control via Android/iOS application;
- ▶ Your house protection against freezing: the "+8°C function". The air conditioner will maintain +8°C temperature preventing room freezing and consuming low energy.



Model			CH-S09FTXE-NG	CH-S12FTXE-NG	CH-S18FTXE-NG	CH-S24FTXL2E-NG
Capacity	Cooling	kW	2.60 (0.50-3.35)	3.50 (0.60-3.60)	5.00 (0.65-5.20)	7,00 (1,93-8.85)
	Heating	kW	2.80 (0.50-3.50)	3.60 (0.60-3.80)	5.30 (0.70-5.40)	7,40 (1,80-10,63)
Consumed power	Cooling	kW	0.718 (0.16-1.40)	0.972 (0.12-1.40)	1.39 (0.15-1.70)	1,62 (0,40-3,10)
	Heating	kW	0.733 (0.20-1.50)	0.942 (0.12-1.50)	1.34 (0.16-1.680)	1,63 (0,45-3,75)

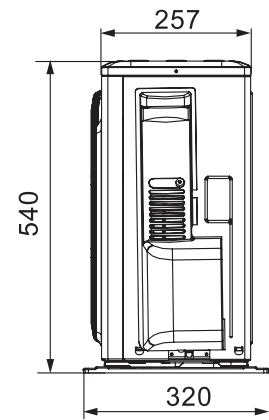
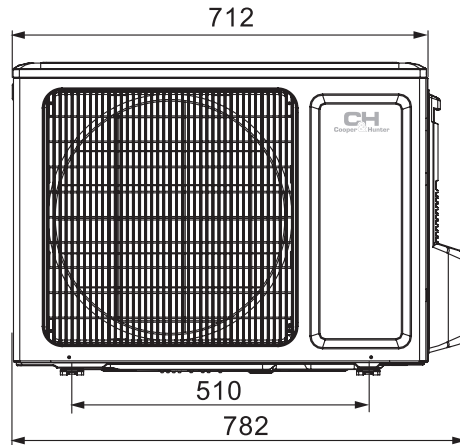
## INDOOR UNIT



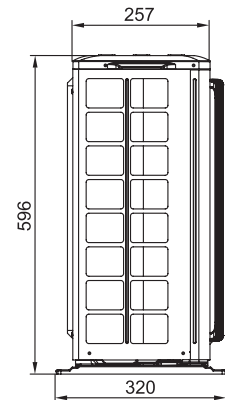
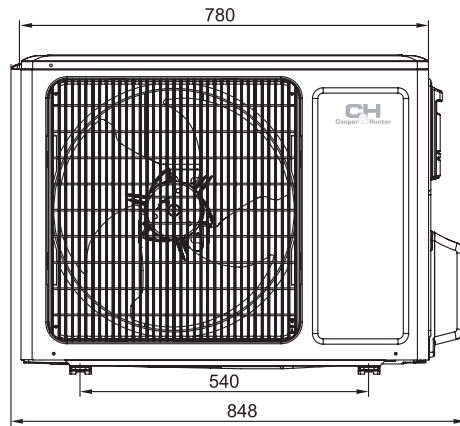
Model	W (mm)	H (mm)	D (mm)
CH-S09FTXE-NG	790	275	200
CH-S12FTXE-NG	790	275	200
CH-S18FTXE-NG	970	300	225
CH-S24FTXL2E-NG	1078	325	246

# OUTDOOR UNIT

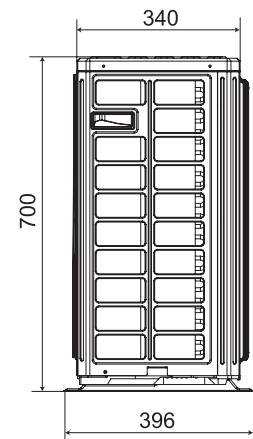
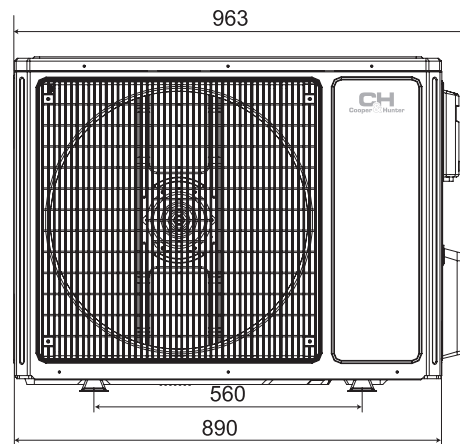
CH-S09FTXE-NG



CH-S12FTXE-NG  
CH-S18FTXE-NG



CH-S24FTXL2E-NG



Model			CH-S09FTXE-NG	CH-S12FTXE-NG	CH-S18FTXE-NG	CH-S24FTXL2E-NG
Capacity	Cooling	kW	2.60 (0.50-3.35)	3.50 (0.60-3.60)	5.00 (0.65-5.20)	7.00 (1.93-8.85)
	Heating	kW	2.80 (0.50-3.30)	3.60 (0.60-3.80)	5.30 (0.70-5.40)	7.40 (1.80-10.63)
Power supply			~220-240 V/50 Hz/1 Ph			
Consumed power	Cooling	kW	0.72 (0.16-1.40)	0.97 (0.12-1.40)	1.39 (0.15-1.70)	1.62 (0.40-3.10)
	Heating	kW	0.71 (0.20-1.50)	0.92 (0.12-1.50)	1.34 (0.16-1.6.0)	1.63 (0.45-3.75)
SEER*/SCOP** (Energy performance class)			6.1 (A++)/4.0(A+)	6.1 (A++)/4.0(A+)	6.1 (A++)/4.0(A+)	6.5 (A++)/4.0(A+)
Air flow		m <sup>3</sup> /h	330/430/490/560	290/410/480/560	520/610/720/850	800/850/900/950/1050/1150/1250
Sound pressure level	Indoor unit (min/ave/max)	dB (A)	23/26/30/36	24/28/32/37	28/33/39/45	29/34/36/37/39/42/45
	Outdoor unit	dB (A)	52	52	54	57
Refrigerant type			R 32			
Weight	Indoor unit	kg	9	9	13.5	16.5
	Outdoor unit	kg	29.5	31	34	53.5
Compressor type			rotor			
Drying		l/h	0.8	1.4	1.8	2.4
Cooling operation ambient temperature		°C	-15/+48			
Heating operation ambient temperature		°C	-15/+24			
Gas charge volume		kg	0.6	0.59	0.77	1.70
Liquid line diameter		mm/inch	6.38/1/4"	6.38/1/4"	6.38/1/4"	6.38/1/4"
Gas line diameter		mm/inch	9.53/3/8"	9.53/3/8"	9.53/3/8"	15.88/5/8"
Maximal difference in level		m	10	10	10	10
Maximal pipe length		m	19	20	20	20
Distance between the bolts of the outdoor unit fastening		mm	510	540	540	560

\* SEER - seasonal coefficient of system cooling capacity.  
\*\* SCOP - seasonal coefficient of system cooling capacity.