

Product no. 706001-1800

283,2
[11,148]

Scale: 1:2

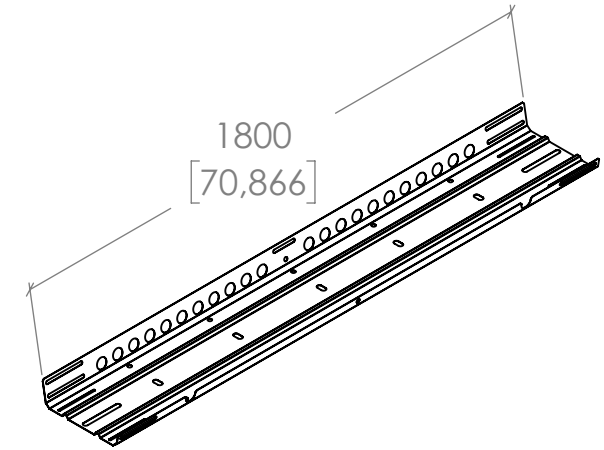
82
[3,218]

265,8
[10,466]

0,6
[0,024]

10
[0,394]

41
[1,619]



1800
[70,866]

10
[0,394]

136
[5,354]

81
[3,189]

1800
[70,866]

We reserve the right to make technical changes by further development without the necessity of changing this publication

Execution Class:		(allowable tolerances)	(Surface)	Scale: M: 1:2 / 1:8	Weight: 3,18 kg
EN 1090 EXC3		-	AZ 185	(Material, Pre-Product) DX51D + AZ 185	Rp0,2: min. - MPa ; Rm: min. 270 - 500 MPa
				(unmachined Part)	(Model - or Die - Nr)
H				Product name:	
G		drawn	M. Auer	BT-1800 ballast tray	
F		proved	M. Auer		
E		released	MR		
D					
C					
B					
A	same status as the old 820641_1E	05.07.19	MR	Index no.	706001-1800 A
Modification		Date	Name	(Replacement:)	A4
			(Origin:)		

We reserve all rights for this drawing also in case of patent or registration of design. This drawing may neither be copied nor opened to a third party without our written agreement. It may also not be used improperly by the recipient or a third party in other ways. Contraventions oblige to compensation and can be prosecuted.